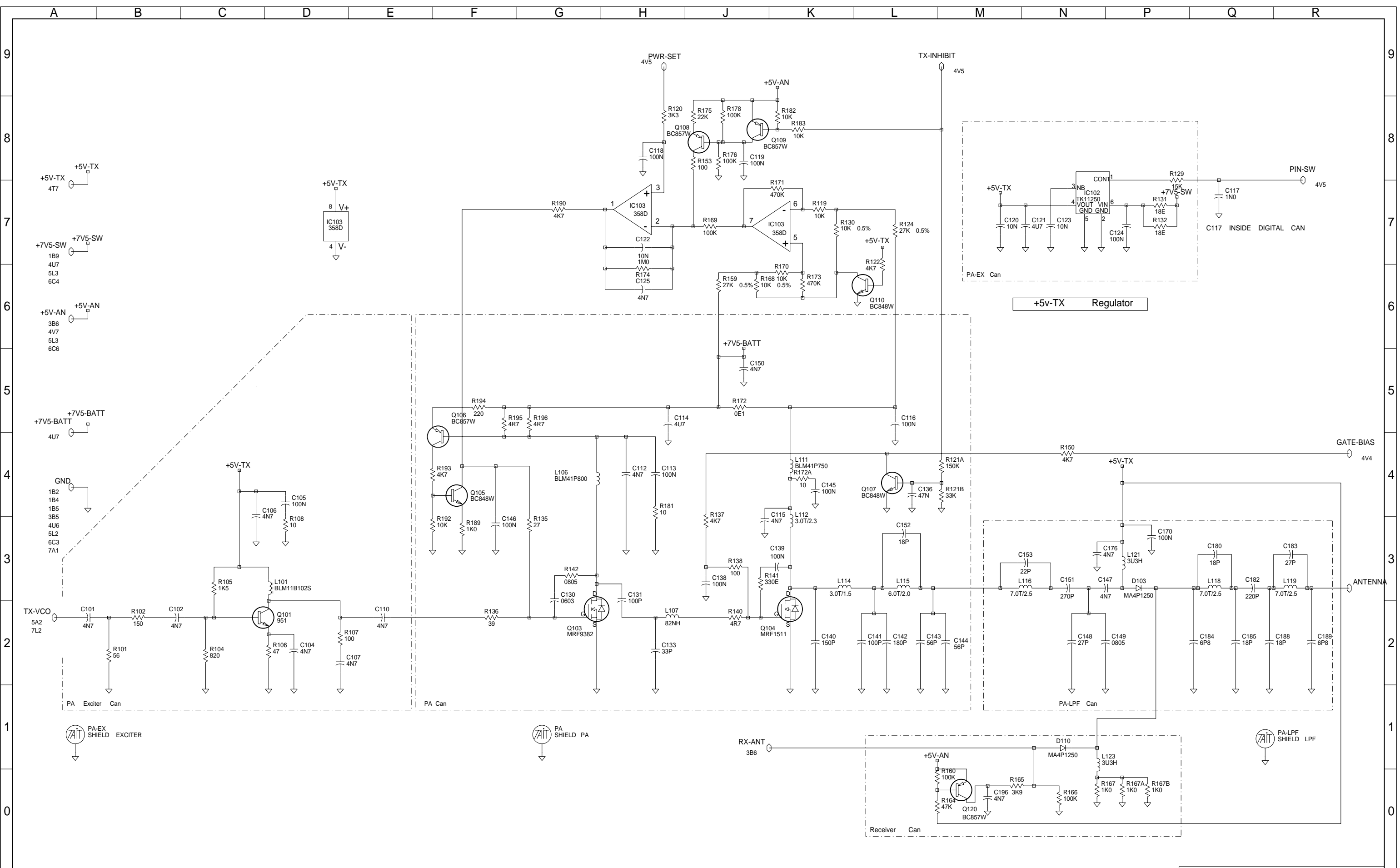


06B	CCO 1616-009	BRD			22-02-00
06A	CCO NO 1616-008	BRD			10-02-2K
04A	CLONED 220-01616-01 CCO 1616/006	BRD	SP	CK	DW 24/11/99
REV/ISS	AMENDMENTS	DRAWN	CHKD	D.O.	APVD DATE

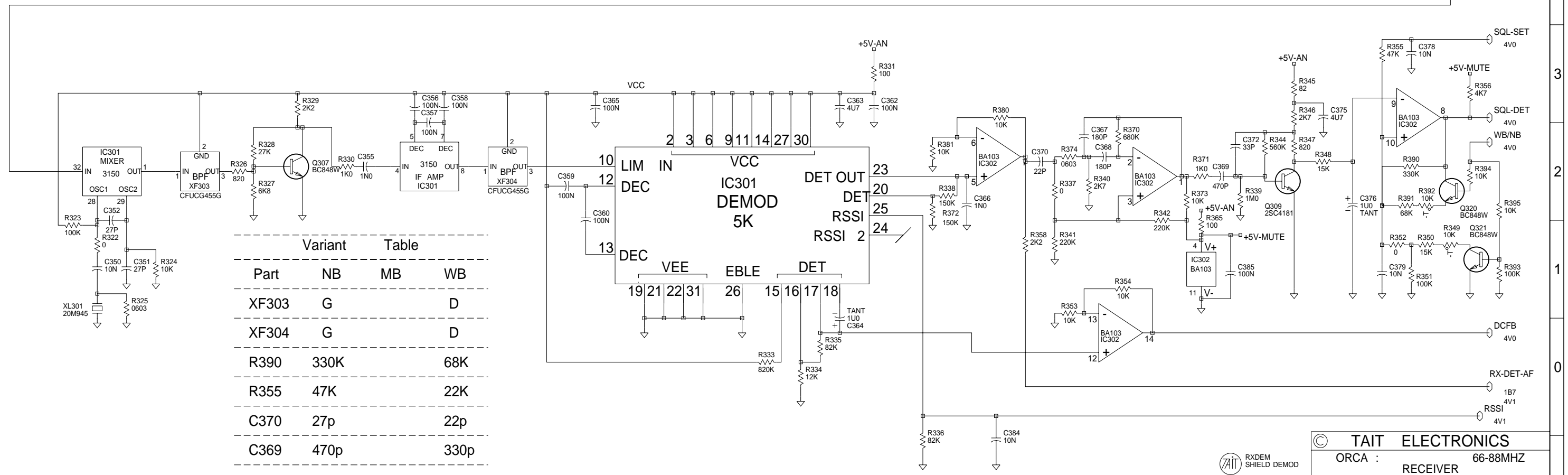
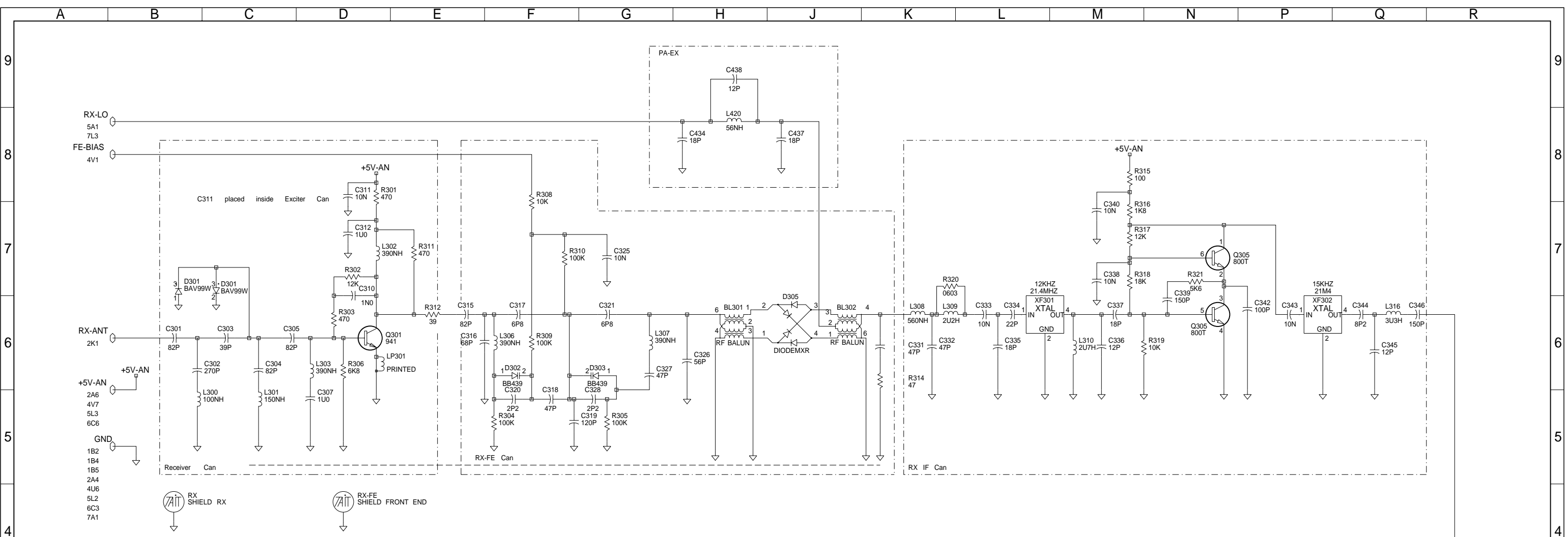
SUB-VHF
Tait Orca

© TAIT ELECTRONICS	
ORCA :	66-88MHZ
SYSTEM DIAGRAM	
IPN: 220-01616-06	ISSUE: B
DESIGNER: TAIT ORCA	FILE DATE: 22-Feb-00
BRD: 161606b	NO. SHEETS: 7



© TAIT ELECTRONICS
 ORCA : 66-88MHZ POWER AMPLIFIER
 IPN: B ISSUE: 2.S.C. 2
 PROJECT: 220-01616-06 DESIGNER: BRD FILE NAME: 161606b DATE: 22-Feb-00 NO.SHEETS: 7

REV/ISS	AMENDMENTS	DRAWN	CHKD	D.O.	APVD	DATE
A						



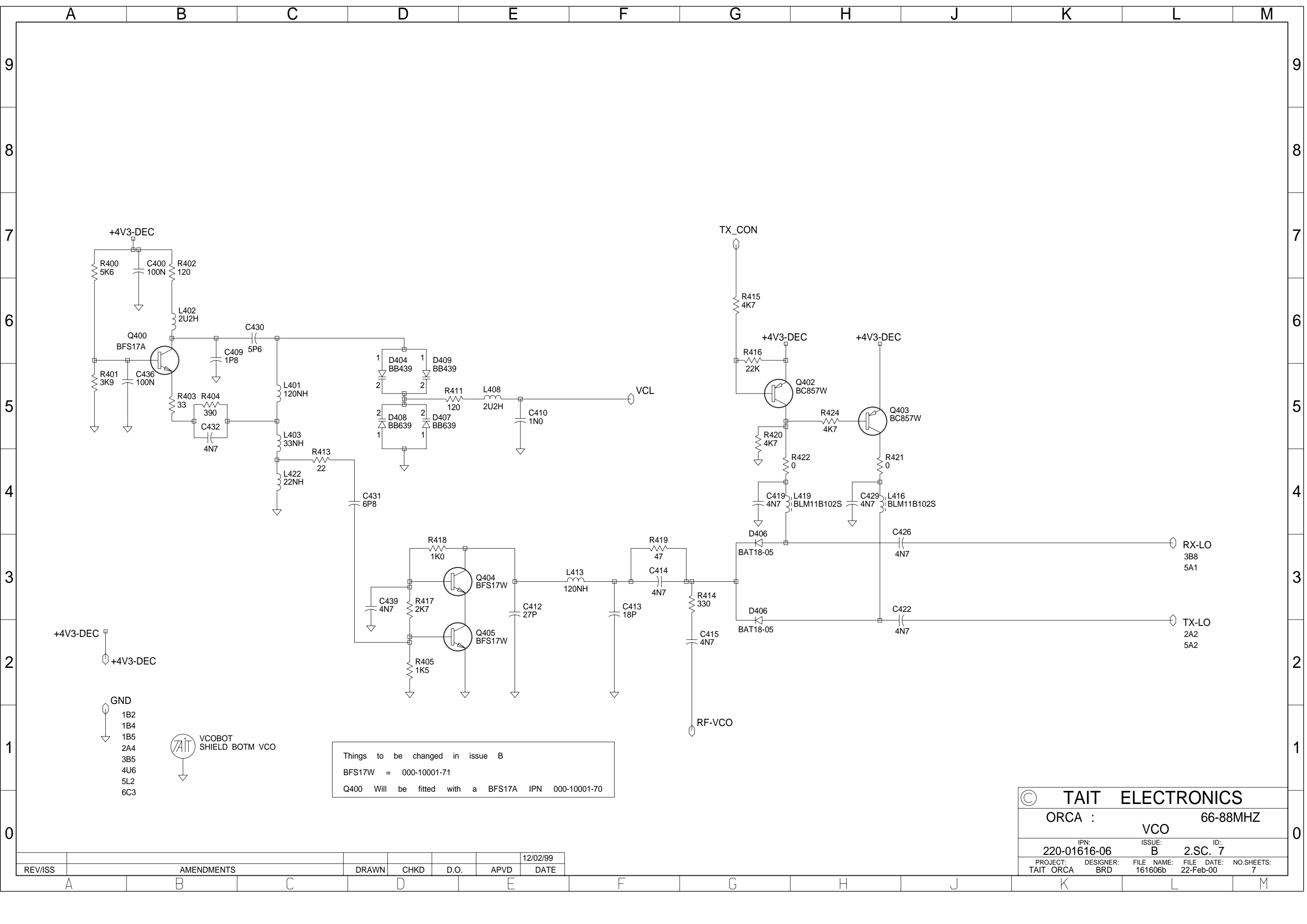
REV/ISS	AMENDMENTS	DRAWN	CHKD	D.O.	APVD	DATE

© TAIT ELECTRONICS

ORCA : RECEIVER 66-88MHZ

IPN: 220-01616-06 ISSUE: B 2.S.C. 3

PROJECT: TAIT ORCA BRD DESIGNER: 161606b FILE NAME: 22-Feb-00 NO.SHEETS: 7



Things to be changed in issue B
 BFS17W = 000-10001-71
 Q400 Will be fitted with a BFS17A IPN 000-10001-70

© TAIT ELECTRONICS	
ORCA :	VCO 66-88MHZ
IPN: 220-01616-06	ISSUE: B ID: 2.SC. 7
PROJECT: TAIT ORCA	DESIGNER: BRD FILE NAME: 161606b FILE DATE: 22-Feb-00 NO.SHEETS: 7

REV/ISS	AMENDMENTS	DRAWN	CHKD	D.O.	APVD	DATE
						12/02/99

- +4V3-DEC
- +4V3-DEC
- GND
- 1B2
- 1B4
- 1B5
- 2A4
- 3B5
- 4U6
- 5L2
- 6C3

VCBOT SHIELD BOTM VCO